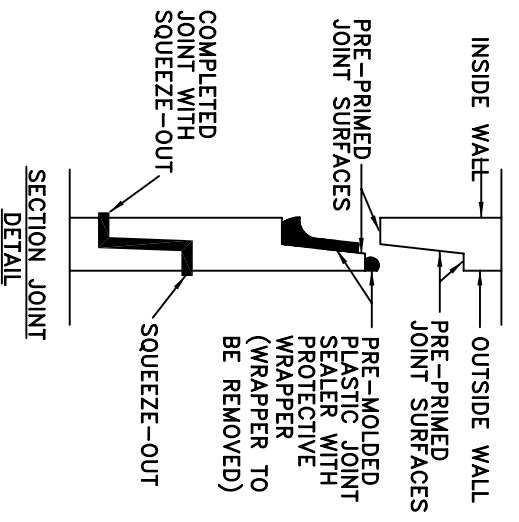
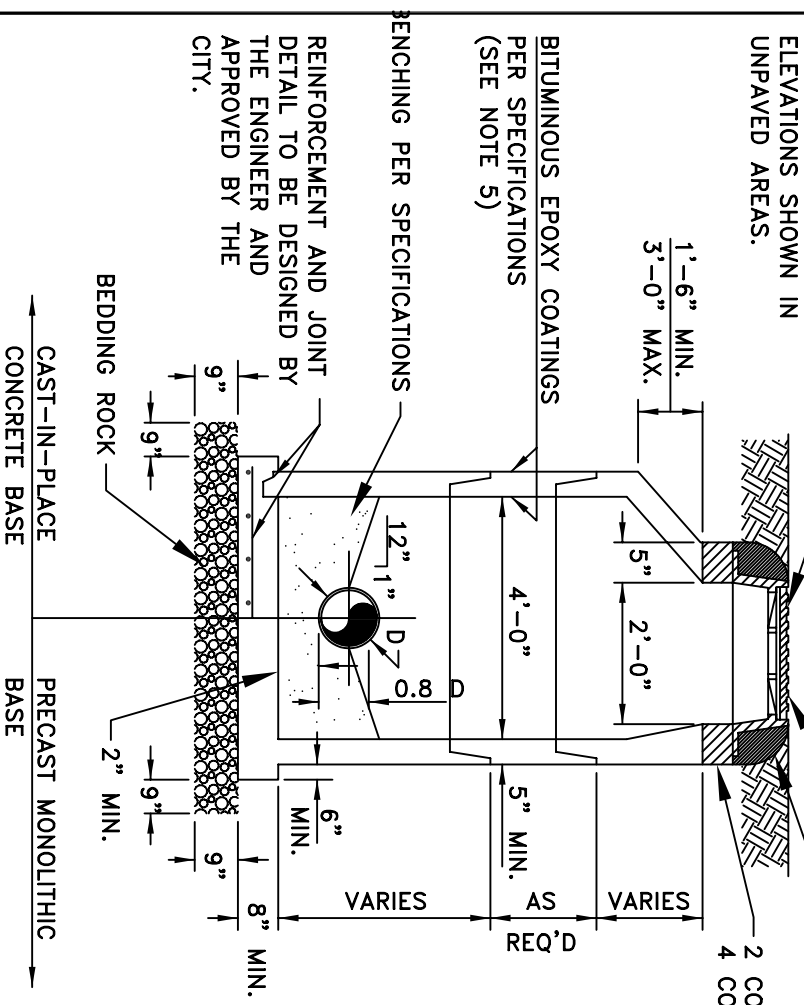


SET COVERS FLUSH IN PAVED AREAS & AT ELEVATIONS SHOWN IN UNPAVED AREAS.

MANHOLE FRAME & COVER (SEE FIGURE 202)

FRAMES BEDDED IN MORTAR
2 COURSES OF BRICK (MIN.)
4 COURSES (MAX.)



TYPICAL MANHOLE DETAIL